

Scaffolding & Barrier Safety Lamp Vertical Mount

TECHNICAL DETAILS

Model No.
SBLV 1404

PRODUCT INSTRUCTIONS

WHI Safeguard's innovative lighting solution is designed to fit quickly and securely to all types of scaffolding and other industrial applications. The product provides a simple, robust and tamperproof solution to the increasing need to clearly illuminate scaffolding and construction areas. This photocell activated product provides 360 degree flashing light with prolonged battery life.

Thank you for purchasing this WHI Safeguard Product.



It is essential that you read these instructions carefully before operating this product for the first time.

Please retain these instructions for future reference. The illustrations shown are for illustrative purposes only.

- * Uses 2 x AA standard batteries (not included)
- * Illumination Type - LED x 4, yield of minimum 1100 mCd
- * Flash Pattern - 30 per minute (single flash)
- * Duration of Flash - 200 Milli seconds



Do not short-circuit battery terminals.

Do not allow any part to come into contact with heat or a direct flame.

Do not allow water to come in contact with batteries or wiring.

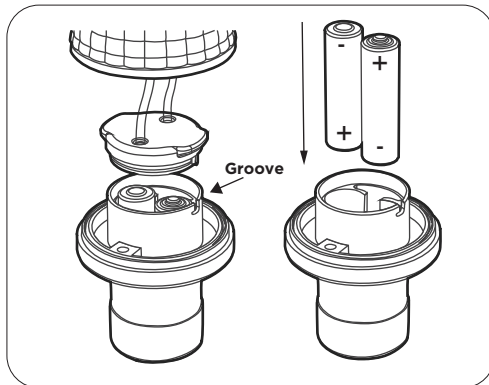
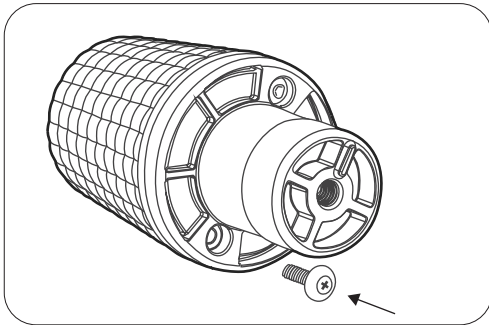
For maximum performance, use good quality batteries.

Phillips screwdriver required for battery installation.



WARNING: This product is not a toy. Keep out of reach of small children and pets. Do not look directly at the LED Lights.

At the end of its useful life, batteries must be removed from the product and disposed of appropriately.

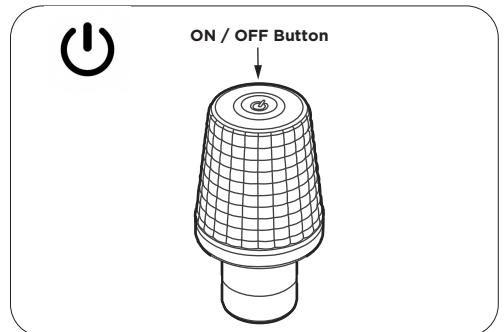


1. Installing / Removing Batteries

1. Remove screws from the underside of the lens body with your screwdriver and lift the lens two inches.
2. Grip, twist and pull battery cap away from the base.
3. Insert two AA batteries as featured.
Note the correct polarity (+ or -).
4. Align the lip and groove, then replace battery cap. Twist to secure cap.
5. Replace lens and secure security screws.

2. On/Off Button

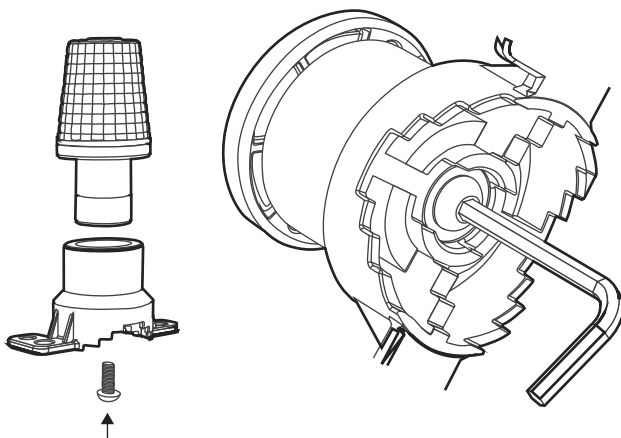
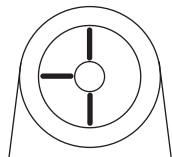
1. Press once to activate flashing light, press twice for static and a third time to switch off.



PLEASE NOTE



Align and position the lips on the bottom of the module with the grooves in the base.

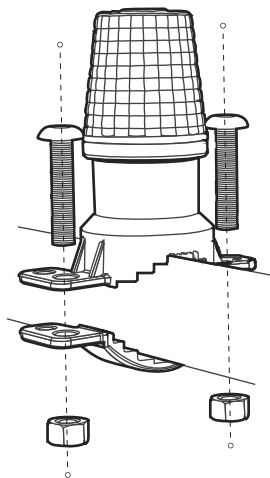


3. Installing lamp module

Insert the lamp module and twist into position, then fasten security screw from the underside with the tool provided. The module must be positioned with the grooves to fasten securely.

4. Position the lamp

Place in position with the lens at the top, then fasten with the security screws and tool provided.



Warranty Information

We warrant the product against defects in materials and workmanship, under ordinary consumer use, on delivery and for a period of 12 months from the date of delivery. If the product proves defective during the warranty period, we will ask you to follow the instructions for returning the product that we will provide you with, and we will take one of the following actions: (1) Replace the product with one that is the same or equivalent to the product you purchased; (2) Repair the product; (3) Refund to you the whole of or part of the purchase price of the product. Due to product advancement and product availability, the replacement product may differ slightly and may have a lower selling price from the original product you purchased. Made In China.

Manufacturer Address

WHI Safeguard Limited
Meryll House, 57 Worcester Road,
Bromsgrove, B61 7DN, England
T. 44 (0) 1753 325 101
E. info@whisafeguard.com
WHI Safeguard is a registered trademark

