

# Site Safety Light

## Side Mount

**THIS PRODUCT HAS A PHOTOCELL THAT AUTOMATICALLY TURNS IT OFF DURING DAYLIGHT HOURS TO CONSERVE BATTERY LIFE.**

### PRODUCT INSTRUCTIONS

WHI Safeguard's innovative lighting solution is designed to fit quickly and securely to all types of scaffolding and other industrial applications. The product provides a simple, robust and tamperproof solution to the increasing need to clearly illuminate scaffolding and construction areas. This photocell activated product provides 360 degree flashing light with prolonged battery life.

**Thank you for purchasing this WHI Safeguard Product.**



**It is essential that you read these instructions carefully before operating this product for the first time.**

**Please retain these instructions for future reference. The illustrations shown are for illustrative purposes only.**

### TECHNICAL DETAILS

**Model No.**  
**SBLV 1403**  
**BHYR 1405 / BHYW 1405**

- \* Uses 2 x AA standard alkaline batteries (not included)
- \* Illumination type - LED
- \* Flash pattern - 60 per minute (single flash)
- \* Flash, motion and constant sequencing



**Do not short-circuit battery terminals.**

**Do not allow any part to come into contact with heat or a direct flame.**

**Do not allow water to come in contact with batteries or wiring.**

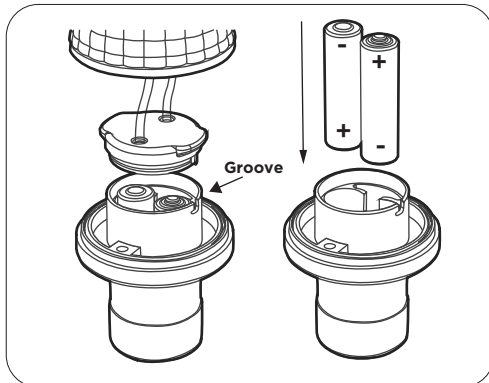
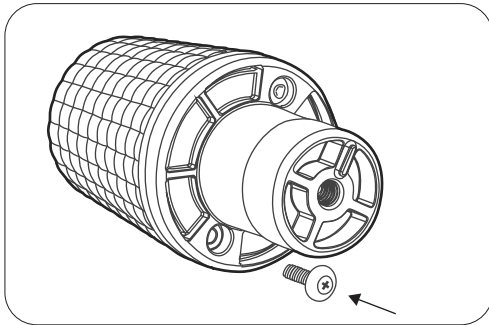
**For maximum performance, use good quality batteries.**

**Phillips screwdriver required for battery installation.**



**WARNING: This product is not a toy. Keep out of reach of small children and pets. Do not look directly at the LED Lights.**

**At the end of its useful life, batteries must be removed from the product and disposed of appropriately.**



### 1. Installing / Removing Batteries

1. Remove screws from the underside of the lens body with your screwdriver and lift the lens two inches.
2. Grip, twist and pull battery cap away from the base.
3. Insert two AA batteries as featured.  
**Note the correct polarity (+ or -).**
4. Align the lip and groove, then replace battery cap. Twist to secure cap.
5. Replace lens and secure screws.

### 2. Mode Selection Button



- **Press once for Flashing mode (on/off every second)**
- **Press twice for Motion Flash**
- **Press three times for Constant On**
- **Press and hold for two seconds to switch the light off**

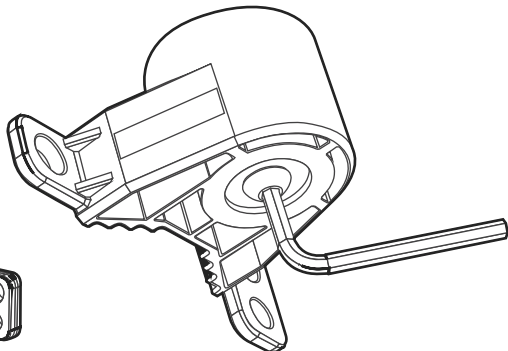
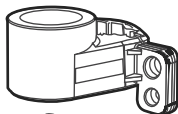
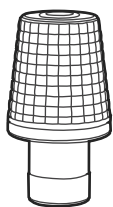
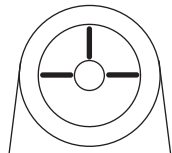
When switched on in daylight, the unit will display the selected mode for three seconds before turning off automatically.

When the batteries need replacing, the light will produce a subtle flicker to alert the user. If the device is turned on with low batteries, it will show three quick flashes before the selected mode appears, followed by a blink every 10 seconds to indicate low power.

## PLEASE NOTE



Align and position the lips on the bottom of the module with the grooves in the base.

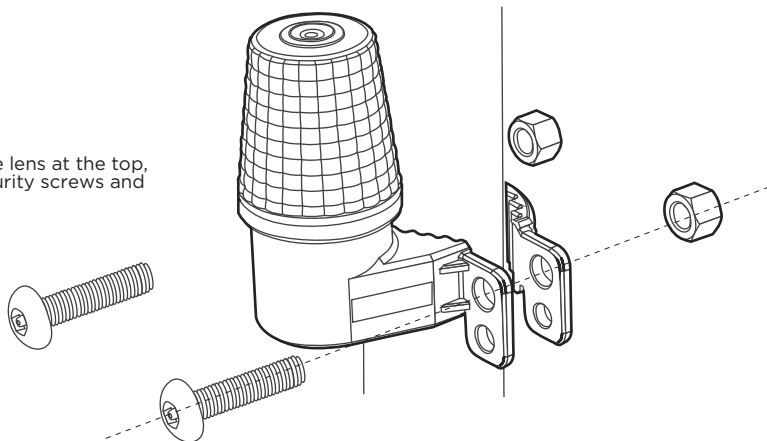


### 3. Installing light module

Insert the light module and twist into position, then fasten security screw from the underside with the tool provided. The module must be positioned with the grooves to fasten securely.

### 4. Position the light

Place in position with the lens at the top, then fasten with the security screws and tool provided.



## Warranty Information

We warrant this product against defects in materials and workmanship under normal consumer use from the date of delivery for a period of 12 months. If the product is found to be defective during this warranty period, we will provide instructions for returning it and will take one of the following actions:

- (1) Replace the product with the same model or an equivalent model.
- (2) Repair the product.
- (3) Refund all or part of the purchase price.

Please note that due to ongoing product improvements and availability, the replacement item may differ slightly from the original product and may have a lower retail price.

## Manufacturer Address

**WHI Safeguard Limited**  
10 Hagley Road, Stourbridge,  
West Midlands, DY8 1PS.

E. [sales@whisafeguard.com](mailto:sales@whisafeguard.com)  
WHI Safeguard is a registered trademark



**WHI SAFE**  
**GUARD**